

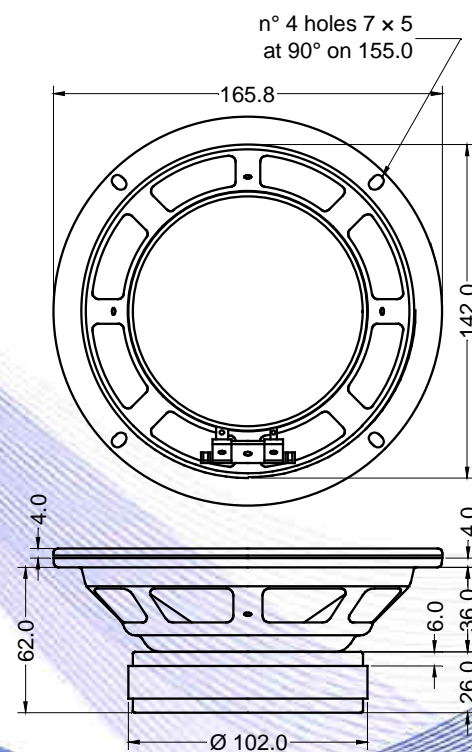
- 1,25" voice coil Epotex former
- Ferrite magnet
- Cone waterproof treatment
- Ventilated voice coil to reduce power compression
- 91.5 dB sensitivity



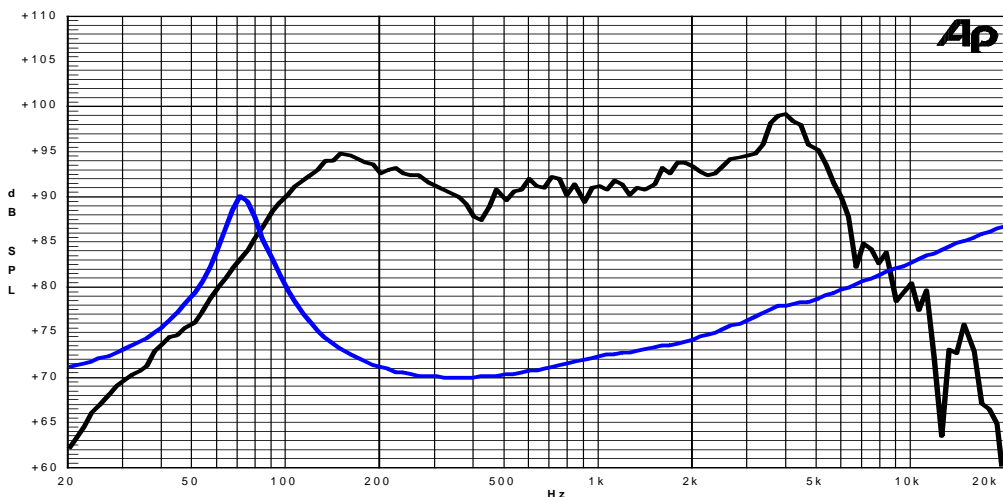
Specifications	
Nominal Diameter	165mm (6")
Nominal Impedance	8Ω
Rated Power AES ⁽¹⁾	60W
Continuous Program Power ⁽²⁾	120W
Sensitivity @ 1W/1m ⁽³⁾	91.5dB
Voice Coil Diameter	32mm
Voice Coil Winding Depth	11mm
Magnetic Gap Depth	6mm
Flux Density	1.10T
Magnet Weight	426g
Net Weight	1.4kg

Thiele & Small Parameters ⁽⁴⁾			
Re	6.11 Ω	Fs	72.6Hz
Qms	4.95	Qes	0.52
Qts	0.47	Mms	11.0g
Cms	434 μm/N	Bxl	7.68 Tm
Vas	9.2l	Sd	122.7 cm ²
X max ⁽⁵⁾	+/-2.8mm	X var ⁽⁶⁾	+/-5.9mm
η ₀	0.65%	Le (1kHz)	0.57 mH

Constructive Characteristics	
Magnet	: Ferrite
Basket Material	: Pressed Sheet Steel
Voice Coil Winding Material	: Copper
Voice Coil Former Material	: Epotex
Cone Material	: Paper
Cone Treatment	: Surface Waterproof Treatment
Surround Material	: Rubber
Dust Dome Material	: Treated Cloth



Frequency Response on IEC Baffle (DIN 45575) @ 1W,1m – Free Air Impedance



- Note:
- 1 : Rated Power measured with 2 hours test with pink noise signal, 6dB crest factor, loudspeaker mounted on enclosure
 - 2: Power on Continuous Program is defined as 3 dB greater than the Rated Power
 - 3: Calculated by Thiele & Small parameters
 - 4: Thiele & Small parameters measured with laser system without preconditioning test
 - 5: Measured with respect to a THD of 10% using a parameter-based method
 - 6: Value corresponding to a decay of the Force Factor, or Compliance, or both, equal to the 50% of the small signal value.
 - 7: Drawing dimensions: mm
 - 8: The notch around 400Hz on the frequency response is typical of the measurement on IEC baffle

Due to continuing product improvement, the features and the design are subject to change without notice.

04/04/14