

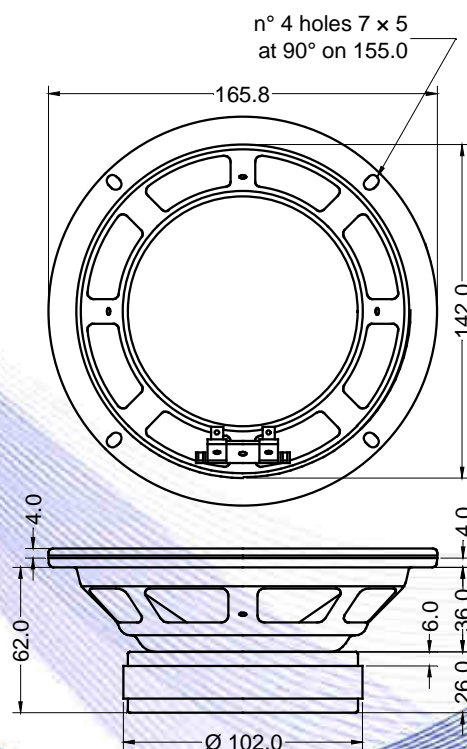
- 1.5" voice coil Epotex former
- Ferrite magnet circuit
- 93.7 dB sensitivity



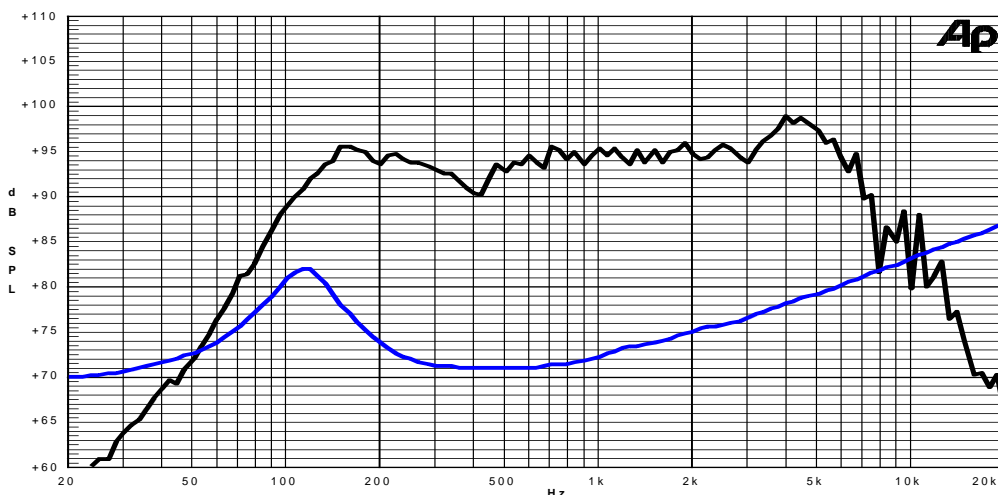
Specifications	
Nominal Diameter	165mm (6")
Nominal Impedance	8Ω
Rated Power AES ⁽¹⁾	80W
Continuous Program Power ⁽²⁾	160W
Sensitivity @ 1W/1m ⁽³⁾	93.7dB
Voice Coil Diameter	38mm (1,5")
Voice Coil Winding Depth	8mm
Magnetic Gap Depth	6mm
Flux Density	1.05T
Magnet Weight	426g
Net Weight	1.4kg

Thiele & Small Parameters ⁽⁴⁾			
Re	6.11Ω	Fs	118.0Hz
Qms	2.16	Qes	0.75
Qts	0.56	Mms	10.0g
Cms	174μm/N	Bxl	7.85Tm
Vas	4.7l	Sd	138.9cm ²
X max ⁽⁵⁾	+/-1.7mm	X var ⁽⁶⁾	+/-2.8mm
η ₀	1.10%	Le (1kHz)	0.60mH

Constructive Characteristics	
Magnet	: Ferrite
Basket Material	: Pressed Sheet Steel
Voice Coil Winding Material	: Copper
Voice Coil Former Material	: Epotex
Cone Material	: Paper
Cone Treatment	: No
Surround Material	: Treated Cloth
Dust Dome Material	: Paper Ogive



Frequency Response on IEC Baffle (DIN 45575) @ 1W,1m – Free Air Impedance



- Note:
- 1 : Rated Power measured with 2 hours test with pink noise signal, 6dB crest factor, loudspeaker mounted on enclosure
 - 2: Power on Continuous Program is defined as 3 dB greater than the Rated Power
 - 3: Calculated by Thiele & Small parameters
 - 4: Thiele & Small parameters measured with laser system without preconditioning test
 - 5: Measured with respect to a THD of 10% using a parameter-based method
 - 6: Value corresponding to a decay of the Force Factor, or Compliance, or both, equal to the 50% of the small signal value.
 - 7: Drawing dimensions: mm
 - 8: The notch around 400Hz on the frequency response is typical of the measurement on IEC baffle