

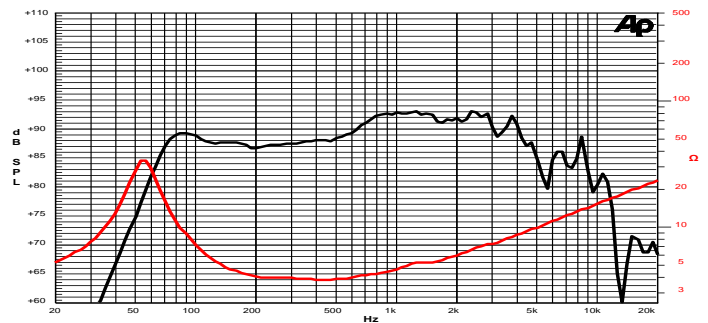
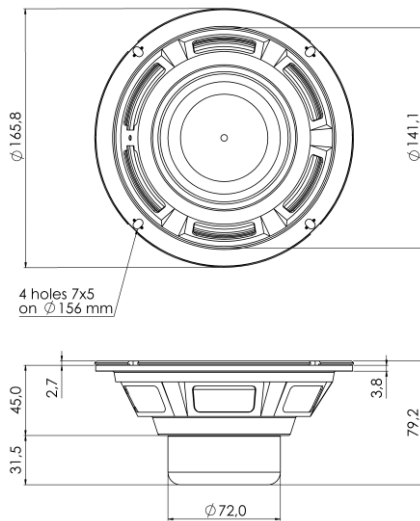
## 6 L 1,5 SL 4Ω

6" | 260 W

Code Z004058

Professional

- 1,5" voice coil Kapton former
- **DAR** Rubber surround with Double Asymmetric Rolls Technology (DAR)
- **WpT** Waterproof Cone Treatment
- Neodymium Magnet Circuit
- **VVc** Ventilated Voice Coil to reduce Power Compression
- 90.1 dB sensitivity
- Frequency Range 55-4000 Hz



Frequency Response on 18 Lt @ 70 Hz Vented Box @ 1W, 1m  
Free Air Impedance

### General Specifications

Nominal Diameter	164 mm (6")
Nominal Impedance	4 Ω
Rated Power AES <sup>(1)</sup>	130 W
Continuous Program Power <sup>(2)</sup>	260 W
Sensitivity @ 1W/1m <sup>(3)</sup>	90.1 dB
Voice Coil Diameter	38 mm (1,5")
Voice Coil Winding Depth	11 mm
Magnetic Gap Depth	6 mm
Flux Density	1.14 T
Magnet Weight	98 g
Net Weight	0.9 kg

### Thiele & Small Parameters <sup>(4)</sup>

Re	3.0 Ω	Fs	55.7 Hz
Qms	4.24	Qes	0.41
Qts	0.37	Mms	15.0 g
Cms	546 μm/N	Bxl	6.26 Tm
Vas	11.6 l	Sd	122.7 cm <sup>2</sup>
X max <sup>(5)</sup>	+/-3.5 mm	X var <sup>(6)</sup>	+/-5.0 mm
η <sub>o</sub>	0.47 %	Le (1kHz)	0.35 mH

### Constructive Characteristics

Magnet	Neodymium
Basket Material	Pressed Sheet Steel
Voice Coil Winding Material	Copper
Voice Coil Former Material	Kapton
Cone Material	Paper
Cone Treatment	Surface Waterproof Treatment
Surround Material	Rubber
Dust Dome Material	Paper Ogive

### Mounting Information

Overall Diameter	165,8 mm
Baffle Cutout Diameter	142 mm
Mounting Holes	4 holes 5x7 on ø156 mm
Total Depth	79.2 mm

(1) Rated Power measured with 2-hour test with pink noise signal, 6dB crest factor, loudspeaker in free air, power calculated on rated Zmin. (2) Power on Continuous Program is defined as 3dB greater than the Rated Power. (3) Calculated by Thiele & Small parameters, for SPL average in box refer to frequency response. (4) Thiele & Small parameters measured with laser system after preconditioning test. (5) Measured with respect to a THD of 10%. (6) Value corresponding to a decay of the Force Factor, or Compliance, or both, equal to the 50% of the small signal value. (7) Drawing dimensions: mm.