

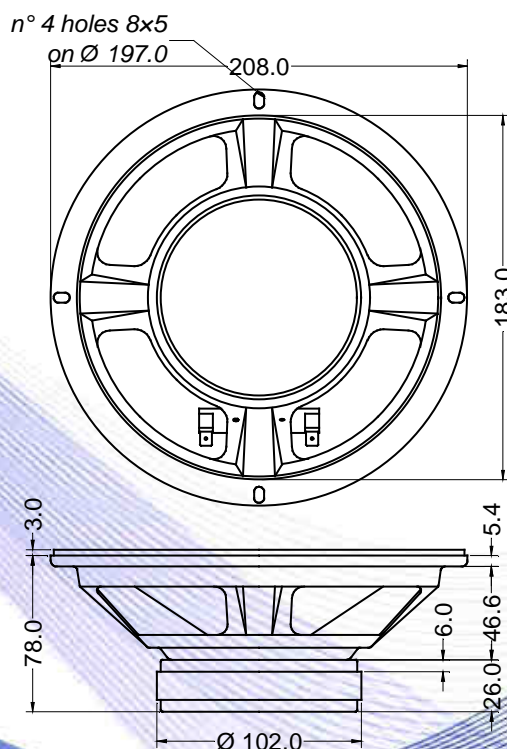
- 1.5" voice coil Epotex former
- Cloth surround with DAR technology
- Ferrite magnet circuit
- 93.3 dB sensitivity.



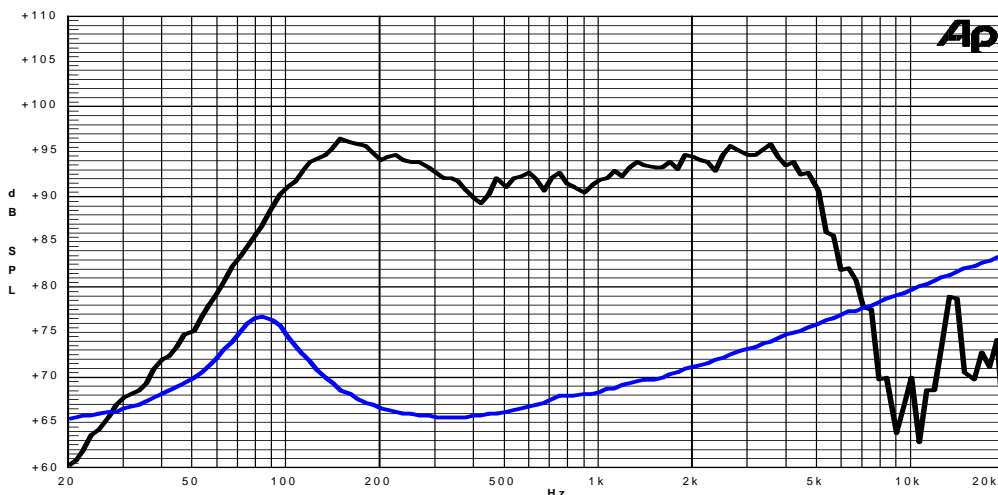
| Specifications | |
|---|-------------|
| Nominal Diameter | 208mm (8") |
| Nominal Impedance | 4Ω |
| Rated Power AES ⁽¹⁾ | 80W |
| Continuous Program Power ⁽²⁾ | 160W |
| Sensitivity @ 1W/1m ⁽³⁾ | 93.3dB |
| Voice Coil Diameter | 38mm (1.5") |
| Voice Coil Winding Depth | 9mm |
| Magnetic Gap Depth | 6mm |
| Flux Density | 1.05T |
| Magnet Weight | 426g |
| Net Weight | 1.4kg |

| Thiele & Small Parameters ⁽⁴⁾ | | | |
|--|----------|----------------------|----------------------|
| Re | 3.52Ω | Fs | 83.4Hz |
| Qms | 2.09 | Qes | 0.69 |
| Qts | 0.52 | Mms | 16.9g |
| Cms | 215μm/N | Bxl | 6.71Tm |
| Vas | 13.9l | Sd | 213.8cm ² |
| X max ⁽⁵⁾ | +/-2.2mm | X var ⁽⁶⁾ | +/-4.2mm |
| η ₀ | 1.12% | Le (1kHz) | 0.44mH |

| Constructive Characteristics | |
|------------------------------|-----------------------|
| Magnet | : Ferrite |
| Basket Material | : Pressed Sheet Steel |
| Voice Coil Winding Material | : Copper |
| Voice Coil Former Material | : Epotex |
| Cone Material | : Paper |
| Cone Treatment | : No |
| Surround Material | : Treated Cloth |
| Dust Dome Material | : Paper Ogive |



Frequency Response on IEC Baffle (DIN 45575) @ 1W,1m – Free Air Impedance



- Note:
- 1 : Rated Power measured with 2 hours test with pink noise signal, 6dB crest factor, loudspeaker mounted on enclosure
 - 2: Power on Continuous Program is defined as 3 dB greater than the Rated Power
 - 3: Calculated by Thiele & Small parameters
 - 4: Thiele & Small parameters measured with laser system without preconditioning test
 - 5: Measured with respect to a THD of 10% using a parameter-based method
 - 6: Value corresponding to a decay of the Force Factor, or Compliance, or both, equal to the 50% of the small signal value.
 - 7: Drawing dimensions: mm
 - 8: The notch around 400Hz on the frequency response is typical of the measurement on IEC baffle