

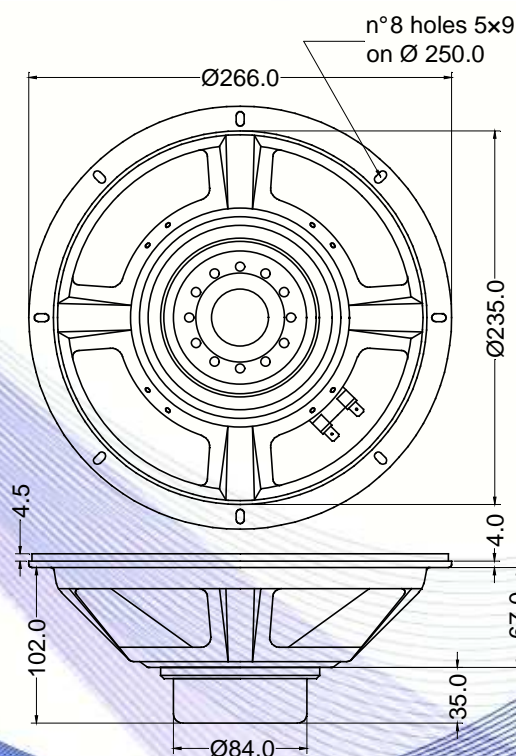
- 2,5" sandwich voice coil fiberglass former and aluminium winding
- Neodymium magnet
- Ventilated magnet and voice coil to reduce power compression
- 96.7 dB sensitivity



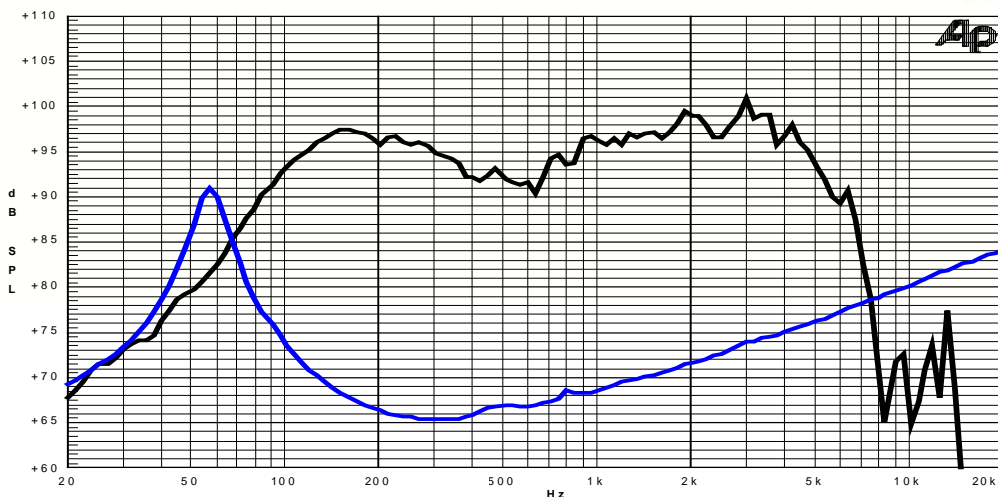
Specifications	
Nominal Diameter	266mm (10")
Nominal Impedance	4Ω
Rated Power AES ⁽¹⁾	250W
Continuous Program Power ⁽²⁾	500W
Sensitivity @ 1W/1m ⁽³⁾	96.7dB
Voice Coil Diameter	65mm (2,5")
Voice Coil Winding Depth	13mm
Magnetic Gap Depth	8mm
Flux Density	1.11T
Magnet Weight	220g
Net Weight	2.0kg

Thiele & Small Parameters ⁽⁴⁾			
Re	3.68Ω	Fs	56.2Hz
Qms	7.09	Qes	0.32
Qts	0.30	Mms	29.9g
Cms	268μm/N	Bxl	11.05Tm
Vas	41.3l	Sd	330.1cm ²
X max ⁽⁵⁾	+/-2.5mm	X var ⁽⁶⁾	+/-4.1mm
η ₀	2.21%	Le (1kHz)	0.56mH

Constructive Characteristics	
Magnet	: Neodymium
Basket Material	: Pressed Sheet Steel
Voice Coil Winding Material	: Aluminium
Voice Coil Former Material	: Fiberglass
Cone Material	: Paper
Cone Treatment	: No
Surround Material	: Treated Cloth
Dust Dome Material	: Solid Paper



Frequency Response on IEC Baffle (DIN 45575) @ 1W,1m – Free Air Impedance



- Note:
- 1 : Rated Power measured with 2 hours test with pink noise signal, 6dB crest factor, loudspeaker mounted on enclosure
 - 2: Power on Continuous Program is defined as 3 dB greater than the Rated Power
 - 3: Calculated by Thiele & Small parameters
 - 4: Thiele & Small parameters measured with laser system without preconditioning test
 - 5: Measured with respect to a THD of 10% using a parameter-based method
 - 6: Value corresponding to a decay of the Force Factor, or Compliance, or both, equal to the 50% of the small signal value.
 - 7: Drawing dimensions: mm
 - 8: The notch around 400Hz on the frequency response is typical of the measurement on IEC baffle