

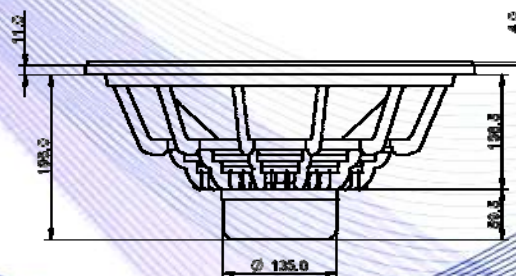
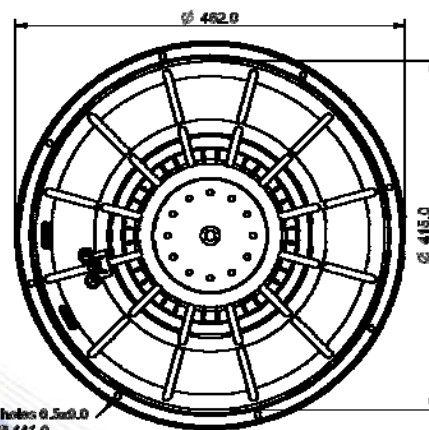
- 4" sandwich voice coil fiberglass former
- Double progressive wave Konex spider
- Cloth surround with DAR technology
- Autoclave waterproof cone treatment
- Neodymium magnet circuit
- Ventilated magnet to reduce power compression
- 97.7 dB sensitivity



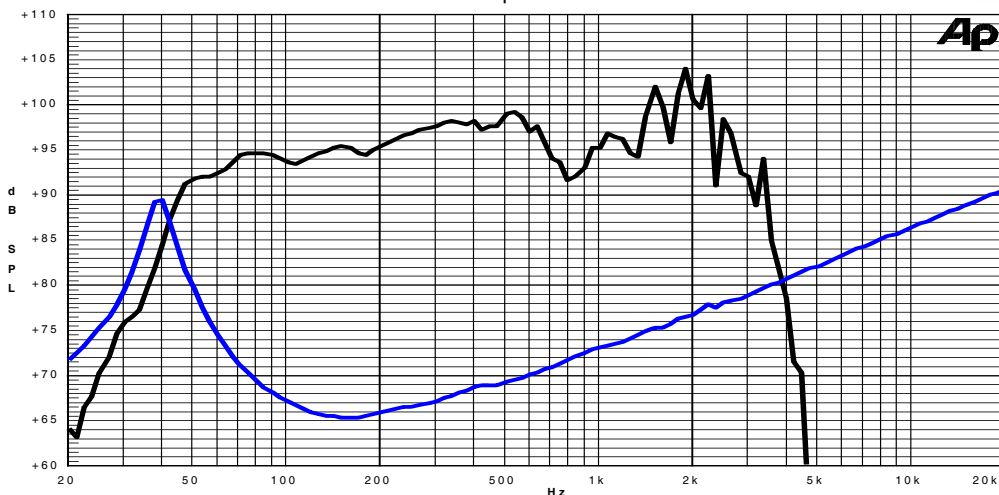
Specifications	
Nominal Diameter	462mm (18")
Nominal Impedance	4Ω
Rated Power AES ⁽¹⁾	1000W
Continuous Program Power ⁽²⁾	2000W
Sensitivity @ 1W/1m ⁽³⁾	97.7dB
Voice Coil Diameter	100mm (4")
Voice Coil Winding Depth	21 mm
Magnetic Gap Depth	12mm
Flux Density	1.21T
Magnet Weight	536g
Net Weight	8.3kg

Thiele & Small Parameters ⁽⁴⁾			
Re	3.18Ω	Fs	39.0Hz
Qms	5.68	Qes	0.34
Qts	0.32	Mms	191.2g
Cms	87µm/N	Bxl	20.87Tm
Vas	166.0l	Sd	1164.2cm ²
X max ⁽⁵⁾	+/-5.5mm	X var ⁽⁶⁾	+/-8.2mm
η ₀	2.79%	Le (1kHz)	1.09mH

Constructive Characteristics	
Magnet	: Neodymium
Basket Material	: Aluminium Die-Cast
Voice Coil Winding Material	: Copper
Voice Coil Former Material	: Fiberglass
Cone Material	: Paper
Cone Treatment	: Humidity Resistant Pulp
Surround Material	: Treated Cloth
Dust Dome Material	: Solid Paper



Frequency Response on 150 Litres Vented Box @ 1W, 1m
Free Air Impedance



Note:

- 1 : Rated Power measured with 2 hours test with pink noise signal, 6dB crest factor, loudspeaker mounted on enclosure
- 2: Power on Continuous Program is defined as 3 dB greater than the Rated Power
- 3: Calculated by Thiele & Small parameters
- 4: Thiele & Small parameters measured with laser system without preconditioning test
- 5: Measured with respect to a THD of 10% using a parameter-based method
- 6: Value corresponding to a decay of the Force Factor, or Compliance, or both, equal to the 50% of the small signal value.
- 7: Drawing dimensions: mm