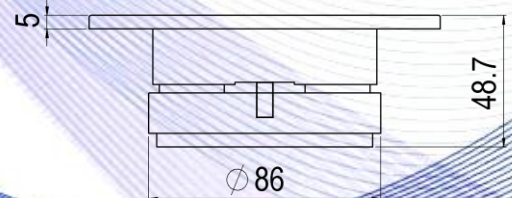
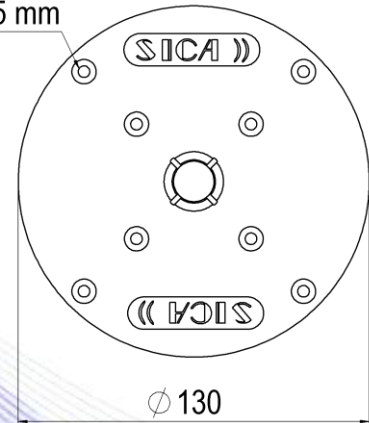


- 1" voice coil Kapton former and flat Aluminium wire
- Tri-acetate diaphragm
- Ferrite magnet circuit
- 104.6 dB sensitivity



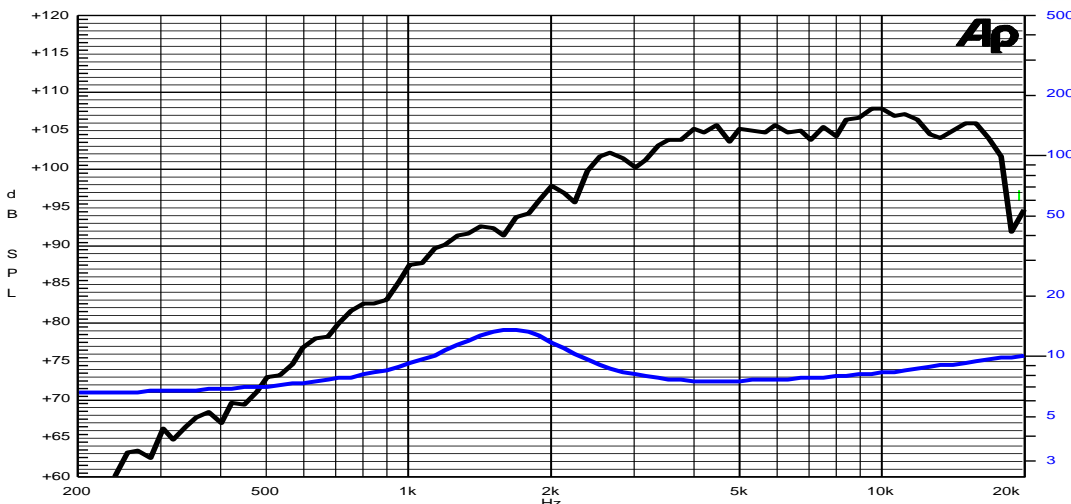
Specifications	
Nominal Diameter	130mm
Nominal Impedance	8Ω
Rated Power AES ⁽¹⁾ (2500 - 20000 Hz)	40W
Continuous Program Power ⁽²⁾	20W
Sensitivity @ 1W/1m ⁽³⁾	104.6dB
Voice Coil Diameter	25mm (1")
Voice Coil Winding Depth	2.1mm
Magnetic Gap Depth	2.0mm
Flux Density	1.70T
DC Resistance	5.50Ω
Resonance Frequency	1600Hz
Magnet Weight	380g
Net Weight	0.87kg
Recommended Crossover Frequency	3.0kHz

4 holes ϕ 4.3
on ϕ 115 mm



Constructive Characteristics	
Magnet	: Ferrite
Voice Coil Winding Material	: Aluminium Flat Wire
Voice Coil Former Material	: Kapton
Diaphragm	: Tri-acetate film
Ferofluid in Air Gap	: Yes
Spare Part Code	: Z009370

Free Air Frequency Response @ 1W,1m – Impedance



Note:

- 1 : Rated Power measured with 2 hours test with pink noise signal, 6dB crest factor, loudspeaker mounted on enclosure
- 2: Power on Continuous Program is defined as 3 dB greater than the Rated Power
- 3: Measured at 1W,1m in axis within the frequency range
- 4: Drawing dimensions: mm

Due to continuing product improvement, the features and the design are subject to change without notice.

18/03/21