

**LOWS:**  
Tight

**MIDS:**  
Aggressive

**HIGHS:**  
Bright

**OVERDRIVE:**  
Edgy

## Sound Features:

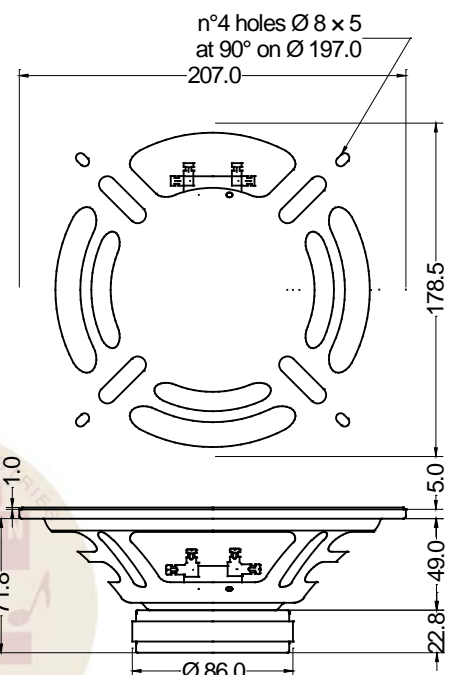
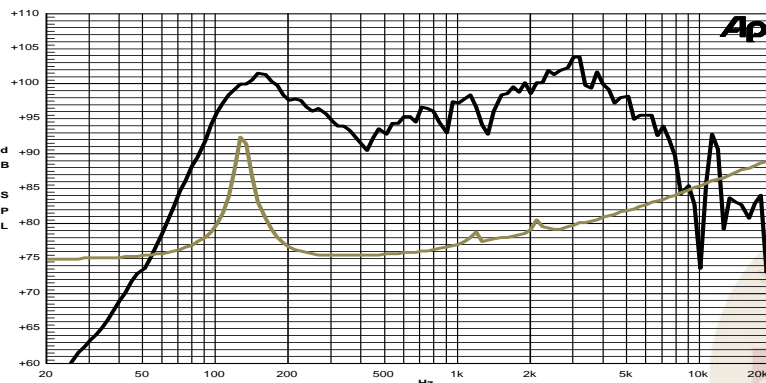
### Guitarist Description:

Crystal clear tone with brightly shining highs. It responds to overdrive distortion with a bright fuzz lead voice.

Specifications	
Nominal Diameter	207 mm (8")
Nominal Impedance	16 Ω
Rated Power AES <sup>(1)</sup>	25 W
Continuous Program Power <sup>(2)</sup>	50 W
Sensitivity @ 1W/1m	94.4 dB
Voice Coil Diameter	25 mm
Voice Coil Winding Depth	4 mm
Magnetic Gap Depth	6 mm
Flux Density	1.00 T
Magnet Weight	270 g
Net Weight	1.0 kg

Thiele & Small Parameters <sup>(3)</sup>			
Re	11.85 Ω	Fs	128.7 Hz
Qms	10.56	Mms	9.9 g
Qts	1.43	Bxl	7.59 Tm
Cms	155 μm/N	Sd	213.8 cm <sup>2</sup>
Vas	10.0 l	Le (1kHz)	0.64 mH

Constructive Characteristics	
Magnet	Ferrite
Basket Material	Pressed Sheet Steel
Voice Coil Winding Material	Copper
Voice Coil Former Material	Kapton
Cone Material	Paper
Surround Treatment	Yes
Surround Material	Paper - Integrated
Dust Dome Material	Solid Paper



**Note:**

- 1: Rated Power measured with 2 hours test with pink noise signal, 6dB crest factor, loudspeaker mounted on enclosure
- 2: Power on Continuous Program is defined as 3 dB greater than the Rated Power
- 3: Thiele & Small parameters measured with laser system without preconditioning test
- 4: Drawing dimensions: mm
- 5: The notch around 400Hz on the frequency response is typical of the measurement on IEC baffle

