

LOWS:
Loose

MIDS:
Firm

HIGHS:
Bright

OVERDRIVE:
Edgy/Crunchy

Sound Features:

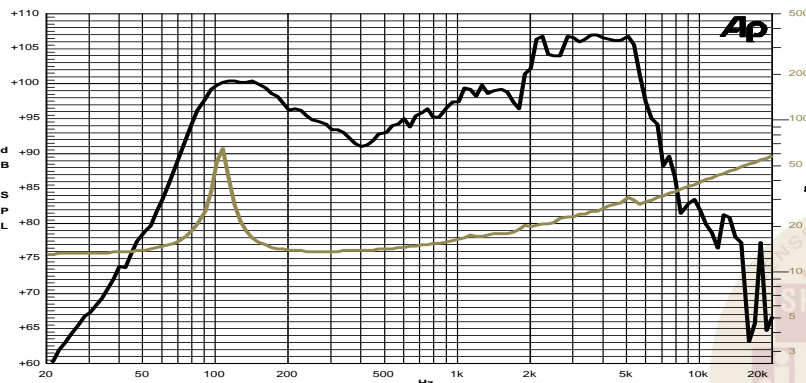
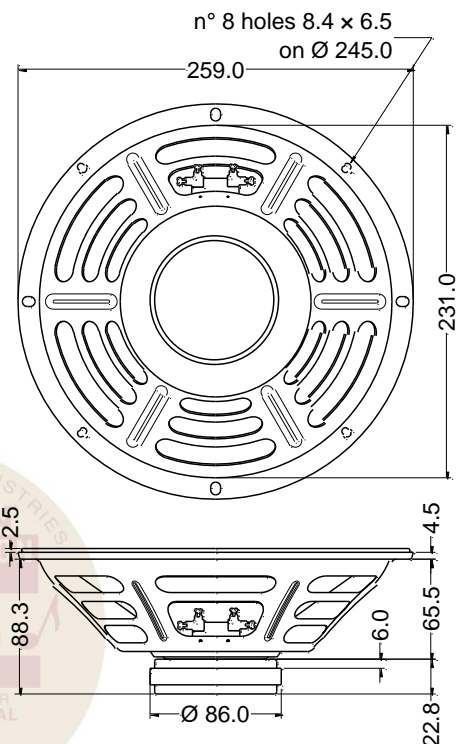
Guitarist Description:

Colorful bell-likechime which transitions into a gritty response when presented with overdrive distortion.

Specifications	
Nominal Diameter	259 mm (10")
Nominal Impedance	16 Ω
Rated Power AES ⁽¹⁾	25 W
Continuous Program Power ⁽²⁾	50 W
Sensitivity @ 1W/1m	92.9 dB
Voice Coil Diameter	25 mm
Voice Coil Winding Depth	8 mm
Magnetic Gap Depth	6 mm
Flux Density	1.00 T
Magnet Weight	270 g
Net Weight	1.2 kg

Thiele & Small Parameters ⁽³⁾			
Re	12.20 Ω	Fs	105.0 Hz
Qms	10.11	Mms	17.4 g
Qts	2.02	Bxl	7.44 Tm
Cms	132 μm/N	Sd	330.1 cm ²
Vas	20.4 l	Le (1kHz)	0.76 mH

Constructive Characteristics	
Magnet	Ferrite
Basket Material	Pressed Sheet Steel
Voice Coil Winding Material	Copper
Voice Coil Former Material	Kapton
Cone Material	Paper
Surround Treatment	Yes
Surround Material	Paper - Integrated
Dust Dome Material	Solid Paper



Note:

- 1: Rated Power measured with 2 hours test with pink noise signal, 6dB crest factor, loudspeaker mounted on enclosure
- 2: Power on Continuous Program is defined as 3 dB greater than the Rated Power
- 3: Thiele & Small parameters measured with laser system without preconditioning test
- 4: Drawing dimensions: mm
- 5: The notch around 400Hz on the frequency response is typical of the measurement on IEC baffle

