

Jensen®

loudspeakers

Tornado

Neodymium

N 10/100 TR 16Ω
Code ZJ05362
10" 100W

LOWS:
Tight/Fat

MIDS:
Aggressive

HIGHS:
Bright

OVERDRIVE:
Edgy/Crunchy

Sound Features:

Guitarist Description:

Tight, warm low-end response topped with sparkling highs.

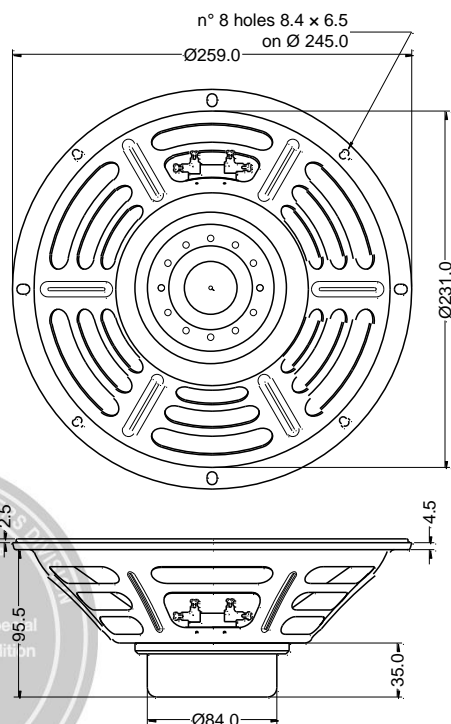
It exhibits a bright and well defined bite when presented with overdrive distortion.



Specifications	
Nominal Diameter	259 mm (10")
Nominal Impedance	16 Ω
Rated Power AES ⁽¹⁾	100 W
Continuous Program Power ⁽²⁾	200 W
Sensitivity @ 1W/1m	97.0 dB
Voice Coil Diameter	50 mm
Voice Coil Winding Depth	10 mm
Magnetic Gap Depth	8 mm
Flux Density	1.20 T
Magnet Weight	200 g
Net Weight	1.7 kg

Thiele & Small Parameters ⁽³⁾			
Re	12.24 Ω	Fs	82.8 Hz
Qms	10.64	Mms	20.7 g
Qts	0.62	Bxl	14.19 Tm
Cms	179 μm/N	Sd	330.1 cm ²
Vas	27.5 l	Le (1kHz)	0.88 mH

Constructive Characteristics	
Magnet	Neodymium
Basket Material	Pressed Sheet Steel
Voice Coil Winding Material	Copper
Voice Coil Former Material	Kapton
Cone Material	Paper
Surround Treatment	Yes
Surround Material	Paper - Integrated
Dust Dome Material	Non Treated Cloth



- Note:
- 1: Rated Power measured with 2 hours test with pink noise signal, 6dB crest factor, loudspeaker mounted on enclosure
 - 2: Power on Continuous Program is defined as 3 dB greater than the Rated Power
 - 3: Thiele & Small parameters measured with laser system without preconditioning test
 - 4: Drawing dimensions: mm
 - 5: The notch around 400Hz on the frequency response is typical of the measurement on IEC baffle

