

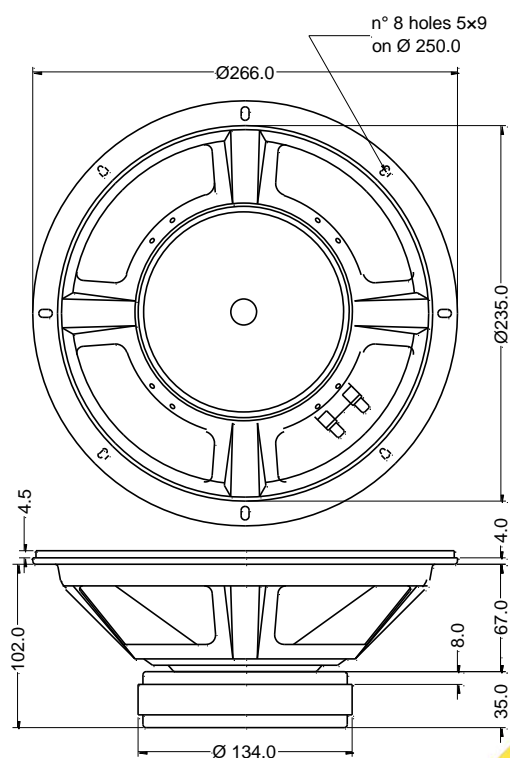
- Punch sound bass guitar loudspeaker
- 2" voice coil Kapton former
- Ferrite magnet circuit
- 95.6 dB sensitivity



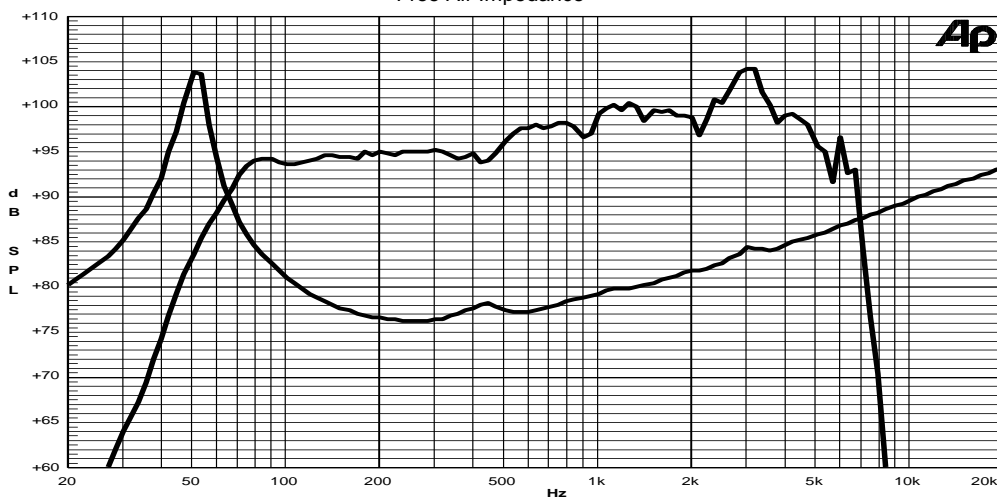
Specifications	
Nominal Diameter	266mm (10")
Nominal Impedance	16Ω
Rated Power AES ⁽¹⁾	150W
Continuous Program Power ⁽²⁾	300W
Sensitivity @ 1W/1m ⁽³⁾	95.6dB
Voice Coil Diameter	50mm (2")
Voice Coil Winding Depth	12mm
Magnetic Gap Depth	8mm
Flux Density	1.20T
Magnet Weight	1100g
Net Weight	3.5kg

Thiele & Small Parameters ⁽⁴⁾			
Re	12.28Ω	Fs	54.5Hz
Qms	12.02	Qes	0.43
Qts	0.41	Mms	28.6g
Cms	298µm/N	Bxl	16.76Tm
Vas	46.1l	Sd	330.1cm ²
X max ⁽⁵⁾	+/-2.2mm	X var ⁽⁶⁾	+/-3.4mm
η ₀	1.68%	Le (1kHz)	1.30mH

Constructive Characteristics	
Magnet	: Ferrite
Basket Material	: Pressed Sheet Steel
Voice Coil Winding Material	: Copper
Voice Coil Former Material	: Kapton
Cone Material	: Paper
Cone Treatment	: No
Surround Material	: Treated Cloth
Dust Dome Material	: Solid Paper



Frequency Response on 35 Litres Vented Box @ 1W, 0.5m, normalized to SPL 1m
Free Air Impedance



- Note:
- 1 : Rated Power measured with 2 hours test with pink noise signal, 6dB crest factor, loudspeaker mounted on enclosure
 - 2: Power on Continuous Program is defined as 3 dB greater than the Rated Power
 - 3: Calculated by Thiele & Small parameters
 - 4: Thiele & Small parameters measured with laser system without preconditioning test
 - 5: Measured with respect to a THD of 10% using a parameter-based method
 - 6: Value corresponding to a decay of the Force Factor, or Compliance, or both, equal to the 50% of the small signal value.
 - 7: Drawing dimensions: mm