

LOWS:  
Loose

MIDS:  
Aggressive

HIGHS:  
Bright

OVERDRIVE:  
Edgy

## Sound Features:

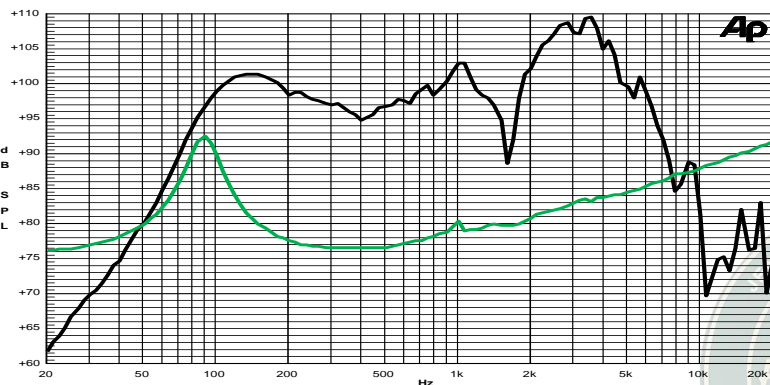
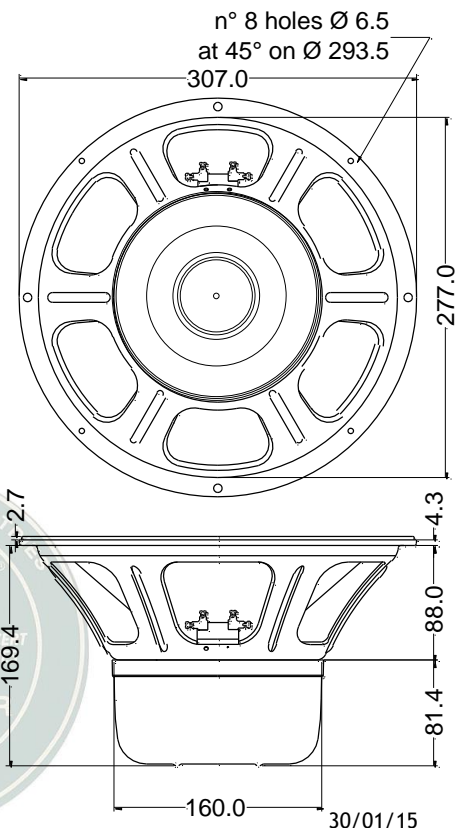
### Guitarist Description:

Very warm and full bodied tone with powerful mid-bite and sparkling highs. When presented with overdrive distortion, it displays a bright and colorful crunch.

Specifications	
Nominal Diameter	307 mm (12")
Nominal Impedance	16 Ω
Rated Power AES <sup>(1)</sup>	50 W
Continuous Program Power <sup>(2)</sup>	100 W
Sensitivity @ 1W/1m	97.3 dB
Voice Coil Diameter	38 mm
Voice Coil Winding Depth	10 mm
Magnetic Gap Depth	8 mm
Flux Density	1.26 T
Magnet Weight	826 g
Net Weight	3.1 kg

Thiele & Small Parameters <sup>(3)</sup>			
Re	12.00 Ω	Fs	91.0 Hz
Qms	4.08	Mms	28.4 g
Qts	0.87	Bxl	13.30 Tm
Cms	108 μm/N	Sd	490.9 cm <sup>2</sup>
Vas	36.9 l	Le (1kHz)	1.05 mH

Constructive Characteristics	
Magnet	AlNiCo
Basket Material	Pressed Sheet Steel
Voice Coil Winding Material	Copper
Voice Coil Former Material	Kapton
Cone Material	Paper
Surround Treatment	No
Surround Material	Paper - Integrated
Dust Dome Material	Solid Paper



**Note:**

- 1: Rated Power measured with 2 hours test with pink noise signal, 6dB crest factor, loudspeaker mounted on enclosure
- 2: Power on Continuous Program is defined as 3 dB greater than the Rated Power
- 3: Thiele & Small parameters measured with laser system without preconditioning test
- 4: Drawing dimensions: mm
- 5: The notch around 400Hz on the frequency response is typical of the measurement on IEC baffle