

LOWS:
Tight

MIDS:
Present

HIGHS:
Brilliant

OVERDRIVE:
Crunchy

Sound Features:

Guitarist Description:

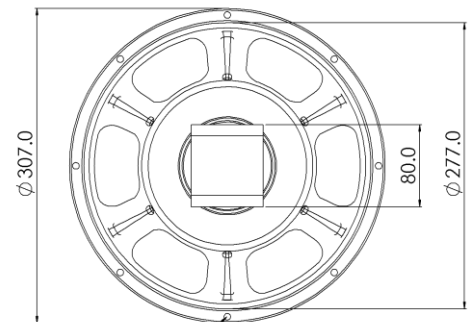
Warm and natural sounding with a remarkably deep and controlled low end, a firm midrange, topped by a transparent, chimey treble range. Capable of crunchy overdriven tones, with a brilliant, detailed response.



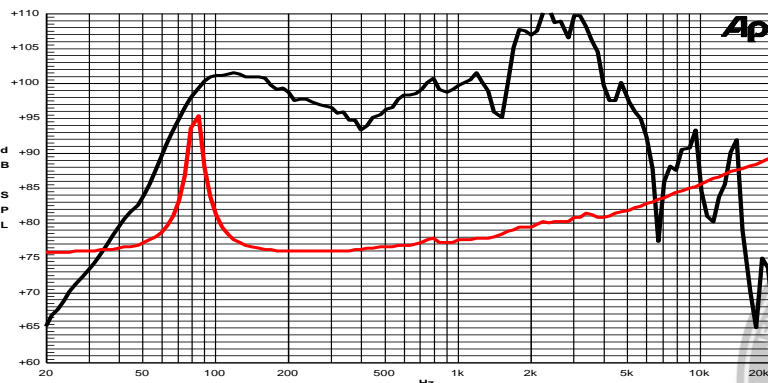
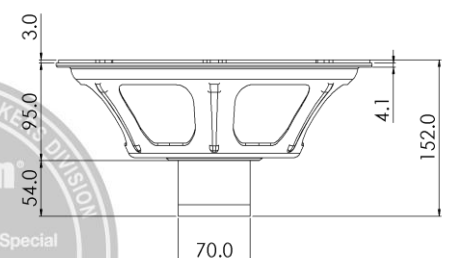
Specifications	
Nominal Diameter	307 mm (12")
Nominal Impedance	16 Ω
Rated Power AES ⁽¹⁾	40 W
Continuous Program Power ⁽²⁾	80 W
Sensitivity @ 1W/1m	95.2 dB
Voice Coil Diameter	32 mm
Voice Coil Winding Depth	9 mm
Magnetic Gap Depth	6 mm
Flux Density	1.28 T
Magnet Weight	360 g
Net Weight	2.0 kg

Thiele & Small Parameters ⁽³⁾			
Re	12.00 Ω	Fs	90.1 Hz
Qms	13.97	Mms	27.4 g
Qts	1.63	Bxl	10.06 Tm
Cms	114 μm/N	Sd	490.9 cm ²
Vas	39.0 l	Le (1kHz)	0.72 mH

Constructive Characteristics	
Magnet	Reinforced AlNiCo
Basket Material	Pressed Sheet Steel
Voice Coil Winding Material	Copper
Voice Coil Former Material	Kapton
Cone Material	Paper
Surround Treatment	Yes
Surround Material	Paper - Integrated
Dust Dome Material	Non Treated Cloth



8 holes ϕ 6.5
on ϕ 293.5mm



- Note: 1: Rated Power measured with 2 hours test with pink noise signal, 6dB crest factor, loudspeaker mounted on enclosure
 2: Power on Continuous Program is defined as 3 dB greater than the Rated Power
 3: Thiele & Small parameters measured with laser system without preconditioning test
 4: Drawing dimensions: mm
 5: The notch around 400Hz on the frequency response is typical of the measurement on IEC baffle

