

LOWS:
Fat

MIDS:
Firm

HIGHS:
Smooth

OVERDRIVE:
Smooth

Sound Features:

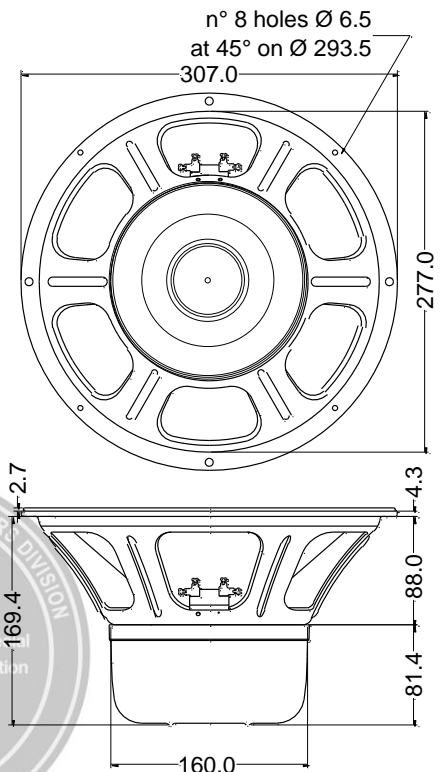
Guitarist Description:

Extremely warm and smooth with a very rich, fat low-end and sparkling highs. It handles overdrive distortion by bringing out colorful detail and holding strong even at maximum crunch.

Specifications	
Nominal Diameter	307 mm (12")
Nominal Impedance	16 Ω
Rated Power AES ⁽¹⁾	100 W
Continuous Program Power ⁽²⁾	200 W
Sensitivity @ 1W/1m	97.1 dB
Voice Coil Diameter	50 mm
Voice Coil Winding Depth	10 mm
Magnetic Gap Depth	8 mm
Flux Density	1.00 T
Magnet Weight	826 g
Net Weight	3.2 kg

Thiele & Small Parameters ⁽³⁾			
Re	11.98 Ω	Fs	103.5 Hz
Qms	13.58	Mms	27.2 g
Qts	1.19	Bxl	12.75 Tm
Cms	87 μm/N	Sd	490.9 cm ²
Vas	29.4 l	Le (1kHz)	1.14 mH

Constructive Characteristics	
Magnet	AINiCo
Basket Material	Pressed Sheet Steel
Voice Coil Winding Material	Aluminium
Voice Coil Former Material	Kapton
Cone Material	Paper
Surround Treatment	Yes
Surround Material	Paper - Integrated
Dust Dome Material	Non Treated Cloth



- Note:
- 1: Rated Power measured with 2 hours test with pink noise signal, 6dB crest factor, loudspeaker mounted on enclosure
 - 2: Power on Continuous Program is defined as 3 dB greater than the Rated Power
 - 3: Thiele & Small parameters measured with laser system without preconditioning test
 - 4: Drawing dimensions: mm
 - 5: The notch around 400Hz on the frequency response is typical of the measurement on IEC baffle