

LOWS:
Tight

MIDS:
Firm

HIGHS:
Bright

OVERDRIVE:
Crunchy

Sound Features:

Guitarist Description:

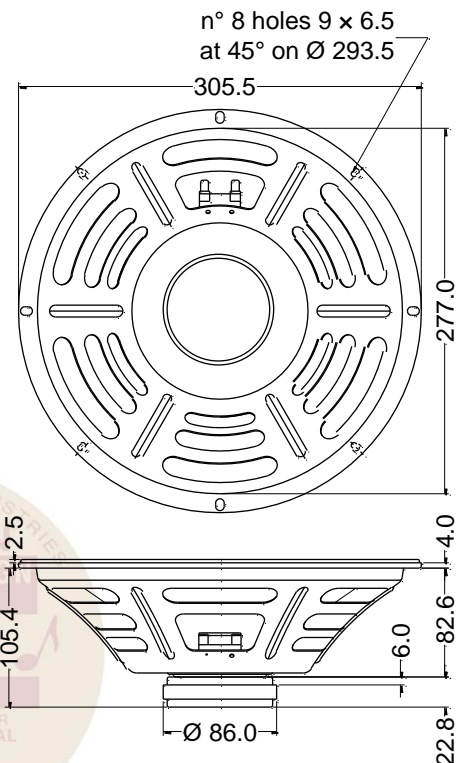
Warm low and mid response with smooth/bright highs.

When presented with overdrive distortion, it has a smooth crunch with low-end focus.

| Specifications | |
|---|--------------|
| Nominal Diameter | 306 mm (12") |
| Nominal Impedance | 16 Ω |
| Rated Power AES ⁽¹⁾ | 25 W |
| Continuous Program Power ⁽²⁾ | 50 W |
| Sensitivity @ 1W/1m | 92.8 dB |
| Voice Coil Diameter | 25 mm |
| Voice Coil Winding Depth | 8 mm |
| Magnetic Gap Depth | 6 mm |
| Flux Density | 1.00 T |
| Magnet Weight | 270 g |
| Net Weight | 1.4 kg |

| Thiele & Small Parameters ⁽³⁾ | | | |
|--|----------|-----------|-----------------------|
| Re | 12.00 Ω | Fs | 89.0 Hz |
| Qms | 16.34 | Mms | 26.2 g |
| Qts | 2.72 | Bxl | 7.34 Tm |
| Cms | 122 μm/N | Sd | 490.9 cm ² |
| Vas | 48.0 l | Le (1kHz) | 0.8 mH |

| Constructive Characteristics | |
|------------------------------|---------------------|
| Magnet | Ferrite |
| Basket Material | Pressed Sheet Steel |
| Voice Coil Winding Material | Copper |
| Voice Coil Former Material | Kapton |
| Cone Material | Paper |
| Surround Treatment | No |
| Surround Material | Paper - Integrated |
| Dust Dome Material | Felt |



Note:

- 1: Rated Power measured with 2 hours test with pink noise signal, 6dB crest factor, loudspeaker mounted on enclosure
- 2: Power on Continuous Program is defined as 3 dB greater than the Rated Power
- 3: Thiele & Small parameters measured with laser system without preconditioning test
- 4: Drawing dimensions: mm
- 5: The notch around 400Hz on the frequency response is typical of the measurement on IEC baffle

