

Jensen®

loudspeakers

Vintage Ceramic

C 12 K2 8Ω
Code ZJ06320
12" 100W

LOWS:
Fat

MIDS:
Firm

HIGHS:
Subtle

OVERDRIVE:
Edgy/Crunchy

Sound Features:

Guitarist Description:

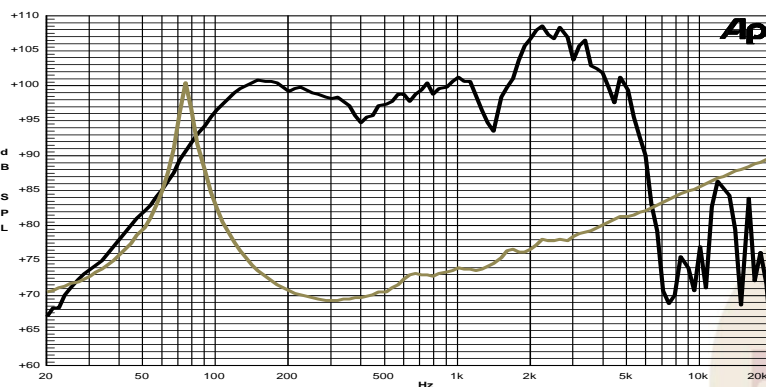
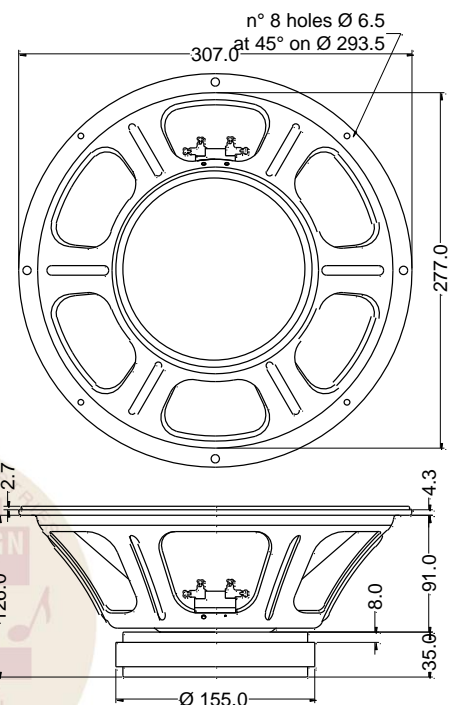
Fat, smooth and warm. Presented with overdrive distortion, it exhibits a silky, smooth, lead fuzz.



Specifications	
Nominal Diameter	307 mm (12")
Nominal Impedance	8 Ω
Rated Power AES ⁽¹⁾	100 W
Continuous Program Power ⁽²⁾	200 W
Sensitivity @ 1W/1m	99.2 dB
Voice Coil Diameter	50 mm
Voice Coil Winding Depth	10 mm
Magnetic Gap Depth	8 mm
Flux Density	1.15 T
Magnet Weight	1450 g
Net Weight	4.3 kg

Thiele & Small Parameters ⁽³⁾			
Re	6.70 Ω	Fs	79.0 Hz
Qms	12.07	Mms	32.2 g
Qts	0.47	Bxl	14.73 Tm
Cms	126 μm/N	Sd	490.9 cm ²
Vas	43.1 l	Le (1kHz)	0.84 mH

Constructive Characteristics	
Magnet	Ferrite
Basket Material	Pressed Sheet Steel
Voice Coil Winding Material	Copper
Voice Coil Former Material	Kapton
Cone Material	Paper
Surround Treatment	Yes
Surround Material	Paper - Integrated
Dust Dome Material	Non Treated Cloth



Note:

- 1: Rated Power measured with 2 hours test with pink noise signal, 6dB crest factor, loudspeaker mounted on enclosure
- 2: Power on Continuous Program is defined as 3 dB greater than the Rated Power
- 3: Thiele & Small parameters measured with laser system without preconditioning test
- 4: Drawing dimensions: mm
- 5: The notch around 400Hz on the frequency response is typical of the measurement on IEC baffle

