

**LOWS:**  
Fat/Deep

**MIDS:**  
Firm/Vocal

**HIGHS:**  
Subtle/  
Extended

**OVERDRIVE:**  
Smooth/  
Crunchy

## Sound Features:

### Guitarist Description:

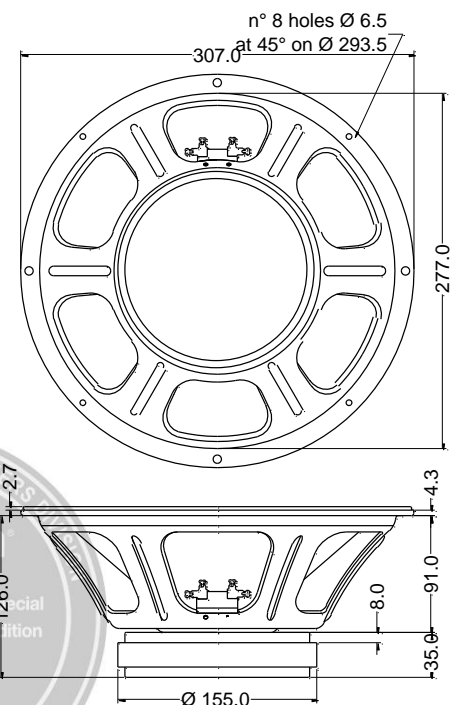
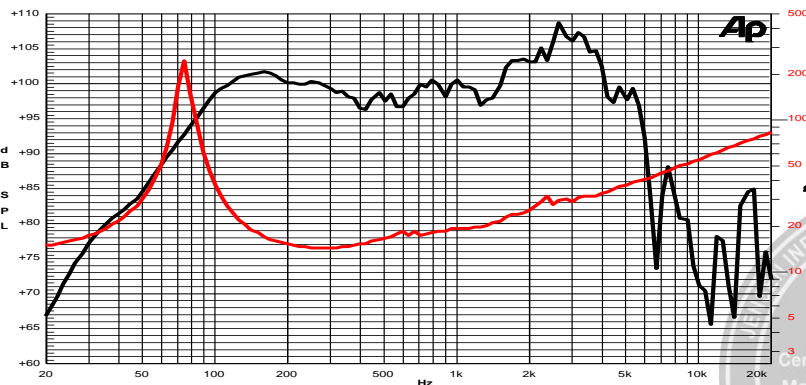
Powerful, smooth and warm. Excellent definition in the upper midrange. When presented with overdrive distortion, it exhibits a silky full-sounding lead tone.



Specifications	
Nominal Diameter	307 mm (12")
Nominal Impedance	16 Ω
Rated Power AES <sup>(1)</sup>	100 W
Continuous Program Power <sup>(2)</sup>	200 W
Sensitivity @ 1W/1m	98.6 dB
Voice Coil Diameter	50 mm
Voice Coil Winding Depth	10 mm
Magnetic Gap Depth	8 mm
Flux Density	1.15 T
Magnet Weight	1450 g
Net Weight	4.5 kg

Thiele & Small Parameters <sup>(3)</sup>			
Re	12.15 Ω	Fs	76.5 Hz
Qms	13.57	Mms	30.4 g
Qts	0.59	Bxl	16.91 Tm
Cms	142 μm/N	Sd	490.9 cm <sup>2</sup>
Vas	48.4 l	Le (1kHz)	1.15 mH

Constructive Characteristics	
Magnet	Ferrite
Basket Material	Pressed Sheet Steel
Voice Coil Winding Material	Copper
Voice Coil Former Material	Nomex
Cone Material	Paper
Surround Treatment	Yes
Surround Material	Paper - Integrated
Dust Dome Material	Non Treated Cloth



**Note:**

- 1: Rated Power measured with 2 hours test with pink noise signal, 6dB crest factor, loudspeaker mounted on enclosure
- 2: Power on Continuous Program is defined as 3 dB greater than the Rated Power
- 3: Thiele & Small parameters measured with laser system without preconditioning test
- 4: Drawing dimensions: mm
- 5: The notch around 400Hz on the frequency response is typical of the measurement on IEC baffle