

Jensen®

loudspeakers

Tornado

Neodymium

N 12/100 TR 8Ω
Code ZJ06355
12" 100W

LOWS: Loose/Fat
MIDS: Subdued
HIGHS: Smooth
OVERDRIVE: Edgy

Sound Features:

Guitarist Description:

Crystal clear clean tones, accented by shimmering highs with each note sounding tight and well defined.

When presented with overdrive distortion, the notes remain well defined with lots of bite.

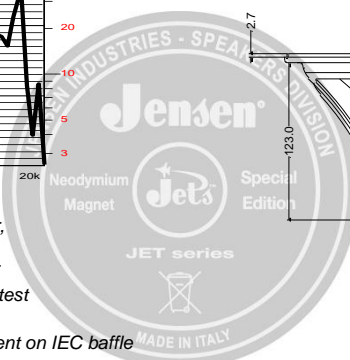
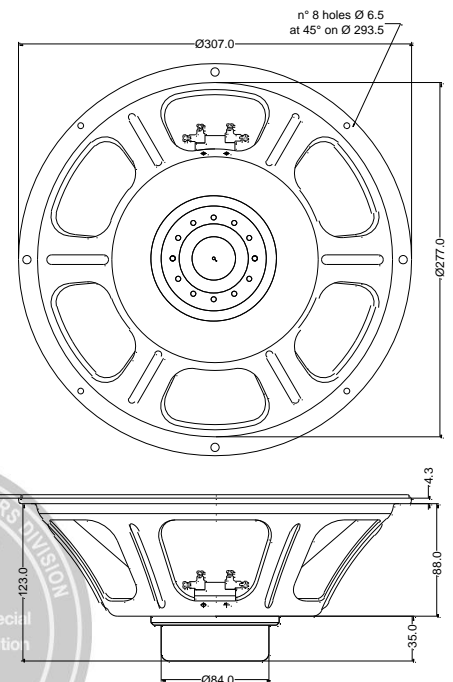
| Specifications | |
|---|--------------|
| Nominal Diameter | 307 mm (12") |
| Nominal Impedance | 8 Ω |
| Rated Power AES ⁽¹⁾ | 100 W |
| Continuous Program Power ⁽²⁾ | 200 W |
| Sensitivity @ 1W/1m | 98.5 dB |
| Voice Coil Diameter | 50 mm |
| Voice Coil Winding Depth | 10 mm |
| Magnetic Gap Depth | 8 mm |
| Flux Density | 1.20 T |
| Magnet Weight | 200 g |
| Net Weight | 2.0 kg |

| Thiele & Small Parameters ⁽³⁾ | | | |
|--|----------|-----------|-----------------------|
| Re | 6.81 Ω | Fs | 72.0 Hz |
| Qms | 9.51 | Mms | 29.9 g |
| Qts | 0.52 | Bxl | 12.93 Tm |
| Cms | 163 μm/N | Sd | 490.9 cm ² |
| Vas | 55.9 l | Le (1kHz) | 0.70 mH |

| Constructive Characteristics | |
|------------------------------|---------------------|
| Magnet | Neodymium |
| Basket Material | Pressed Sheet Steel |
| Voice Coil Winding Material | Copper |
| Voice Coil Former Material | Kapton |
| Cone Material | Paper |
| Surround Treatment | Yes |
| Surround Material | Paper - Integrated |
| Dust Dome Material | Non Treated Cloth |



- Note:
- 1: Rated Power measured with 2 hours test with pink noise signal, 6dB crest factor, loudspeaker mounted on enclosure
 - 2: Power on Continuous Program is defined as 3 dB greater than the Rated Power
 - 3: Thiele & Small parameters measured with laser system without preconditioning test
 - 4: Drawing dimensions: mm
 - 5: The notch around 400Hz on the frequency response is typical of the measurement on IEC baffle



04/05/20