

The D-series is an innovative speaker line designed for the new generation of Digital, modeling, profiling and IR-based amplifiers. The series is also indicated for acoustic guitar amplification. Not recommended for traditional electric guitar amplifiers.

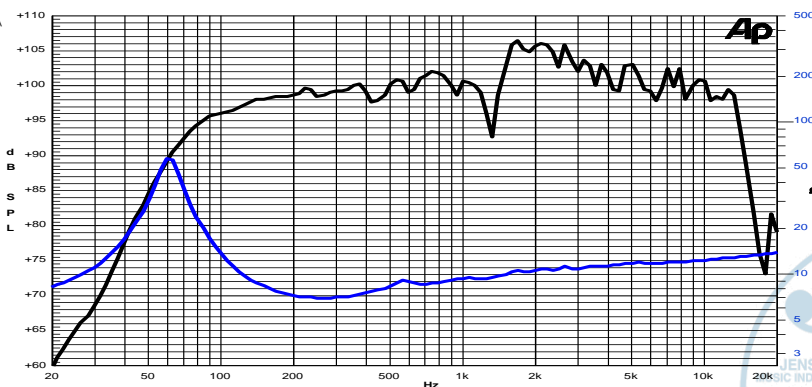
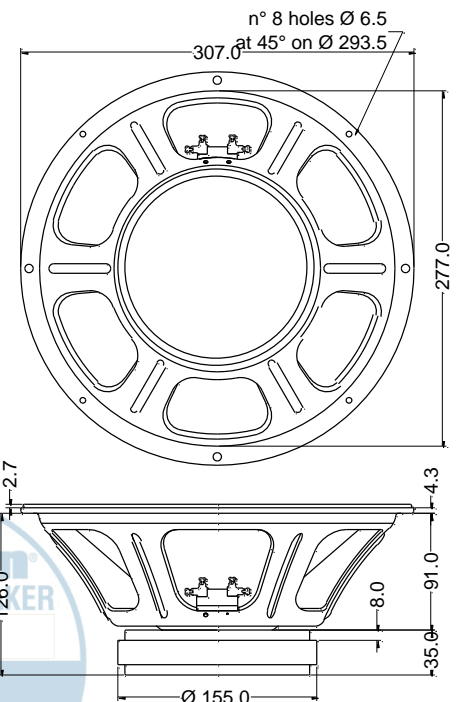
Sound Features:

Extended response on the upper range, to transduce the detail of the digital effects and the harmonic content of a mic'ed guitar cabinet. Directly derived from the traditional guitar speakers, with integrated paper surround, the C12D is able to return the powerful, organic, warm tone and character of a classic guitar amplifier, but also the treble content and the complex harmonics of the overdrive, modulation, delay and reverb effects, as well as the crisp, natural tone of an amplified acoustic guitar.

Specifications	
Nominal Diameter	307 mm (12")
Nominal Impedance	8 Ω
Rated Power AES ⁽¹⁾	150 W
Continuous Program Power ⁽²⁾	300 W
Sensitivity @ 1W/1m	99.1 dB
Voice Coil Diameter	50 mm
Voice Coil Winding Depth	10 mm
Magnetic Gap Depth	8 mm
Flux Density	1.10 T
Magnet Weight	1450 g
Net Weight	4.6 kg

Thiele & Small Parameters ⁽³⁾			
Re	5.20 Ω	Fs	62.5 Hz
Qms	4.05	Mms	34.0 g
Qts	0.43	Bxl	12.04 Tm
Cms	191 μm/N	Sd	490.9 cm ²
Vas	65.3 l	Le (1kHz)	0.27 mH

Constructive Characteristics	
Magnet	Ferrite
Basket Material	Pressed Sheet Steel
Voice Coil Winding Material	Copper
Voice Coil Former Material	Aluminium
Cone Material	Paper
Surround Treatment	Yes
Surround Material	Paper - Integrated
Dust Dome Material	Non Treated Cloth



Note:

- 1: Rated Power measured with 2 hours test with pink noise signal, 6dB crest factor, loudspeaker mounted on enclosure
- 2: Power on Continuous Program is defined as 3 dB greater than the Rated Power
- 3: Thiele & Small parameters measured with laser system without preconditioning test
- 4: Drawing dimensions: mm
- 5: Frequency Response on 45 Lt @ 55 Hz Vented Box @ 1W, 1m-Free Air Impedance

