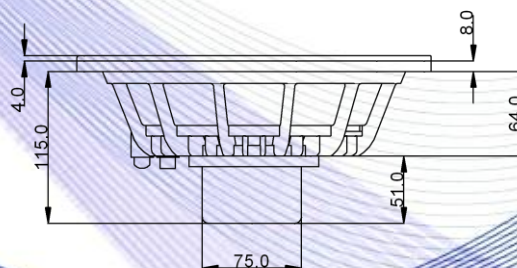
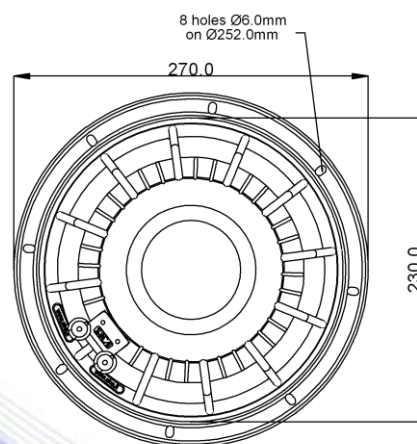


- 2" sandwich voice coil fiberglass former
- High excursion rubber surround
- Cone waterproof treatment
- High excursion neodymium magnet circuit
- Ventilated voice coil to reduce power compression
- 90.6 dB sensitivity

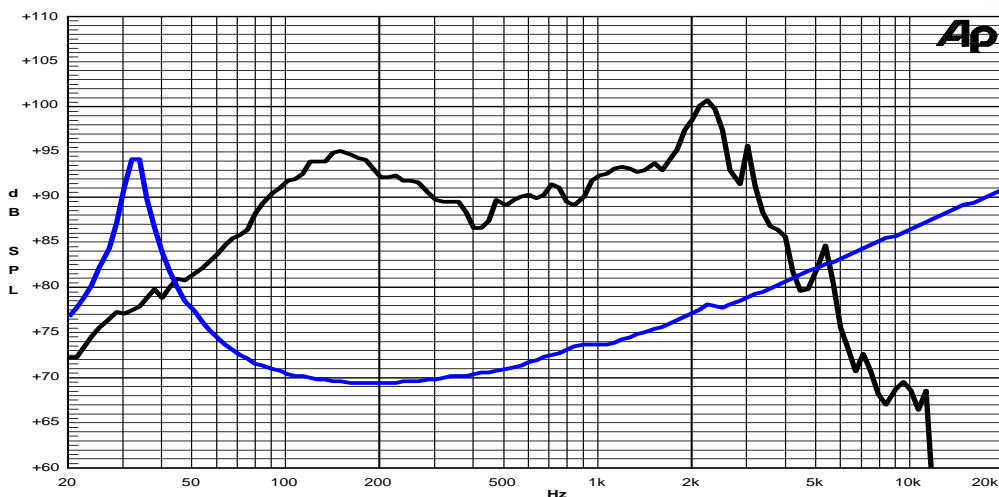


Specifications	
Nominal Diameter	268mm (10")
Nominal Impedance	8Ω
Rated Power AES <sup>(1)</sup>	150W
Continuous Program Power <sup>(2)</sup>	300W
Sensitivity @ 1W/1m <sup>(3)</sup>	90.6dB
Voice Coil Diameter	50mm (2")
Voice Coil Winding Depth	18mm
Magnetic Gap Depth	8mm
Flux Density	1.02T
Magnet Weight	200g
Net Weight	2.4kg

Thiele & Small Parameters <sup>(4)</sup>			
Re	6.20Ω	Fs	33.0Hz
Qms	8.53	Qes	0.51
Qts	0.48	Mms	50.9g
Cms	467μm/N	Bxl	11.18Tm
Vas	82.3l	Sd	353.0cm <sup>2</sup>
X max <sup>(5)</sup>	+/-6.5mm	X var <sup>(6)</sup>	+/-9.0mm
η <sub>0</sub>	0.53%	Le (1kHz)	0.90mH

Constructive Characteristics	
Magnet	: Neodymium
Basket Material	: Aluminium Die-Cast
Voice Coil Winding Material	: Copper
Voice Coil Former Material	: Fiberglass
Cone Material	: Paper
Cone Treatment	: Surface Waterproof Treatment
Surround Material	: Rubber
Dust Dome Material	: Solid Paper

Frequency Response on IEC Baffle (DIN 45575) @ 1W,1m – Free Air Impedance



- Note:
- 1 : Rated Power measured with 2 hours test with pink noise signal, 6dB crest factor, loudspeaker mounted on enclosure
  - 2: Power on Continuous Program is defined as 3 dB greater than the Rated Power
  - 3: Calculated by Thiele & Small parameters
  - 4: Thiele & Small parameters measured with laser system without preconditioning test
  - 5: Measured with respect to a THD of 10% using a parameter-based method
  - 6: Value corresponding to a decay of the Force Factor, or Compliance, or both, equal to the 50% of the small signal value.
  - 7: Drawing dimensions: mm
  - 8: The notch around 400Hz on the frequency response is typical of the measurement on IEC baffle