

**LOWS:** Fat  
**MIDS:** Subdued  
**HIGHS:** Smooth  
**OVERDRIVE:** Smooth

## Sound Features:

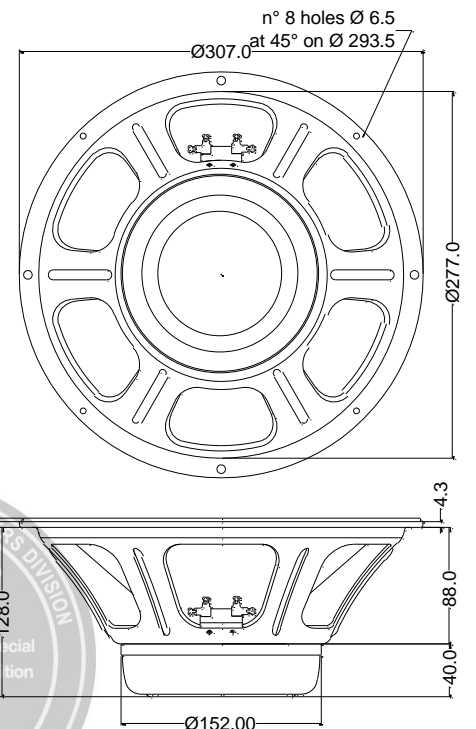
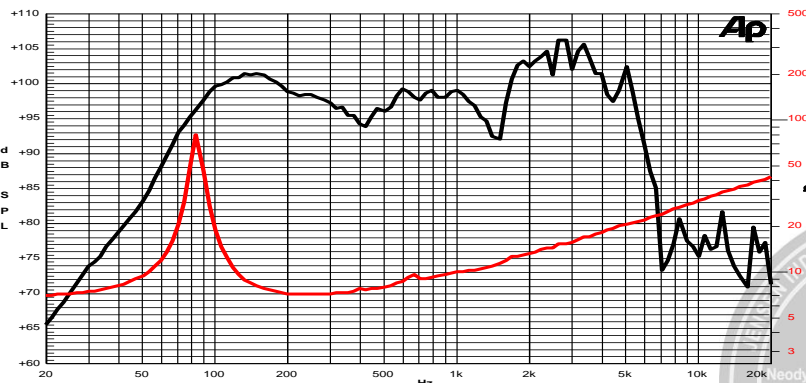
### Guitarist Description:

Warm low end, relaxed mids and rounded highs. Responds to overdrive distortion with easy breakup and punch.

Specifications	
Nominal Diameter	307 mm (12")
Nominal Impedance	8 Ω
Rated Power AES <sup>(1)</sup>	65 W
Continuous Program Power <sup>(2)</sup>	130 W
Sensitivity @ 1W/1m	97.0 dB
Voice Coil Diameter	44 mm
Voice Coil Winding Depth	11 mm
Magnetic Gap Depth	8 mm
Flux Density	1.04 T
Magnet Weight	160 g
Net Weight	2.2 kg

Thiele & Small Parameters <sup>(3)</sup>			
Re	6.16 Ω	Fs	83.2 Hz
Qms	11.18	Mms	28.7 g
Qts	0.95	Bxl	9.41 Tm
Cms	128 μm/N	Sd	490.9 cm <sup>2</sup>
Vas	43.5 l	Le (1kHz)	0.58 mH

Constructive Characteristics	
Magnet	Neodymium
Basket Material	Pressed Sheet Steel
Voice Coil Winding Material	Aluminium
Voice Coil Former Material	Fiberglass
Cone Material	Paper
Surround Treatment	Yes
Surround Material	Paper - Integrated
Dust Dome Material	Non Treated Cloth



**Note:**

- 1: Rated Power measured with 2 hours test with pink noise signal, 6dB crest factor, loudspeaker mounted on enclosure
- 2: Power on Continuous Program is defined as 3 dB greater than the Rated Power
- 3: Thiele & Small parameters measured with laser system without preconditioning test
- 4: Drawing dimensions: mm
- 5: The notch around 400Hz on the frequency response is typical of the measurement on IEC baffle