

**LOWS:**  
Loose

**MIDS:**  
Subdued

**HIGHS:**  
Subtle

**OVERDRIVE:**  
Crunchy

## Sound Features:

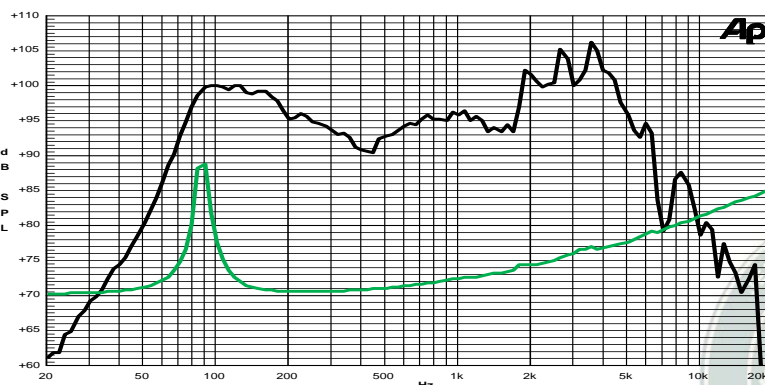
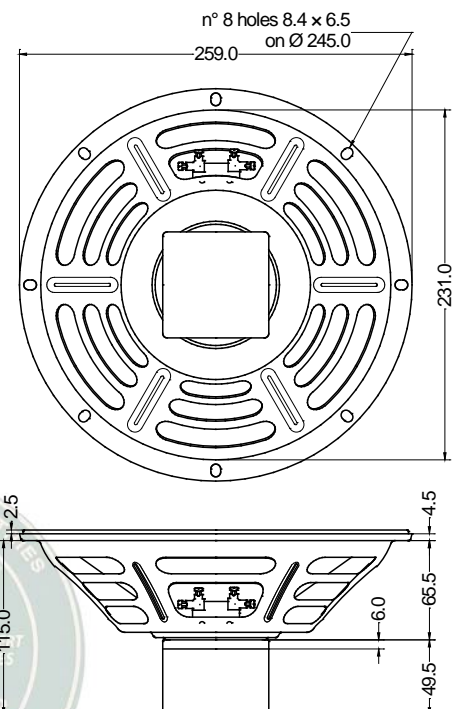
### Guitarist Description:

Warm, mellow tone with less bite and brightness than the standard P10R. In overdrive, this one eases into a creamy distortion.

Specifications	
Nominal Diameter	259 mm (10")
Nominal Impedance	8 Ω
Rated Power AES <sup>(1)</sup>	25 W
Continuous Program Power <sup>(2)</sup>	50 W
Sensitivity @ 1W/1m	92.5 dB
Voice Coil Diameter	25 mm
Voice Coil Winding Depth	8 mm
Magnetic Gap Depth	6 mm
Flux Density	0.96 T
Magnet Weight	200 g
Net Weight	1.4 kg

Thiele & Small Parameters <sup>(3)</sup>			
Re	6.96 Ω	Fs	87.3 Hz
Qms	18.99	Mms	18.0 g
Qts	1.79	Bxl	5.89 Tm
Cms	185 μm/N	Sd	330.1 cm <sup>2</sup>
Vas	28.5 l	Le (1kHz)	0.51 mH

Constructive Characteristics	
Magnet	AlNiCo
Basket Material	Pressed Sheet Steel
Voice Coil Winding Material	Copper
Voice Coil Former Material	Kapton
Cone Material	Paper
Surround Treatment	No
Surround Material	Paper - Integrated
Dust Dome Material	Non Treated Cloth



**Note:**

- 1: Rated Power measured with 2 hours test with pink noise signal, 6dB crest factor, loudspeaker mounted on enclosure
- 2: Power on Continuous Program is defined as 3 dB greater than the Rated Power
- 3: Thiele & Small parameters measured with laser system without preconditioning test
- 4: Drawing dimensions: mm
- 5: The notch around 400Hz on the frequency response is typical of the measurement on IEC baffle